

DH1708

2,1 x 14 cm | 2,1 x 14,5 cm

Prior to laying Preferably to be used on a hard sub-grade. In case of use directly on garden soil always place paving stones underneath the rails to create an extra strong foundation (see image 1). In that case level the ground first and remove possible weeds and use a black anti-weed membrane to prevent as much as possible weeds from growing. Keep a minimum gap of 30 mm between decking / rails and walls or other obstacles. In order to absorb the longitudinal effect of the WPC decking by influence of temperature changes, please keep an opening of about 10 mm between the crosscut faces in case of use of several sections of decking in the longitudinal direction of the terrace.

STEP 1 Lay the rails (base structure) flat and level (see image 6), at a maximum interval of 30 cm. Make sure the terrace during the longitudinal direction of the deck runs just under a slight inclination of approximately 1 cm per meter so that rainwater flows away from the terrace. At the beginning and at the end position two planks at a distance of 18 cm between the axes.

TIP: Keep decking 2-3 cm longer and cut to size after installation, using a circular saw. Then fit the finishing profile. This will give it a very neat finish.

STEP 2 Place a finishing profile (A-vertical) against the head of the rails (A-horizontal), see image 2. Cut this finishing profile with a false mitre. Note: follow the drawing (see images 7 and 8), so that the finishing profile connects with the so-called crosscut face later. This too must be done exactly according to the drawing (see images 7 and 8).

STEP 3 Now install the first section of decking (B). Make sure that the tongue of the finishing profile and the groove of the decking interlock and connect correctly. Now screw the finishing profile to the decking into the marked v-grooves every other 40 cm, using the enclosed long screws. Beware of the power of your electric screwdriver (see image 3).

TIP: for additional stability, the horizontal rails can be screwed onto the vertical finishing profile using angle irons (see image 9).

STEP 4 When the first section is in place, place a clip (C) on each rail, in the groove of the decking. Make sure they connect well and then (semi-) tighten/untighten the clips to the rail, using the enclosed short screws (see image 4). You can now install the second section and repeat the above instructions until you have created the size of terrace you want. Once the entire terrace is in place, tighten all screws and clips (beware of the power of your electric screwdriver).

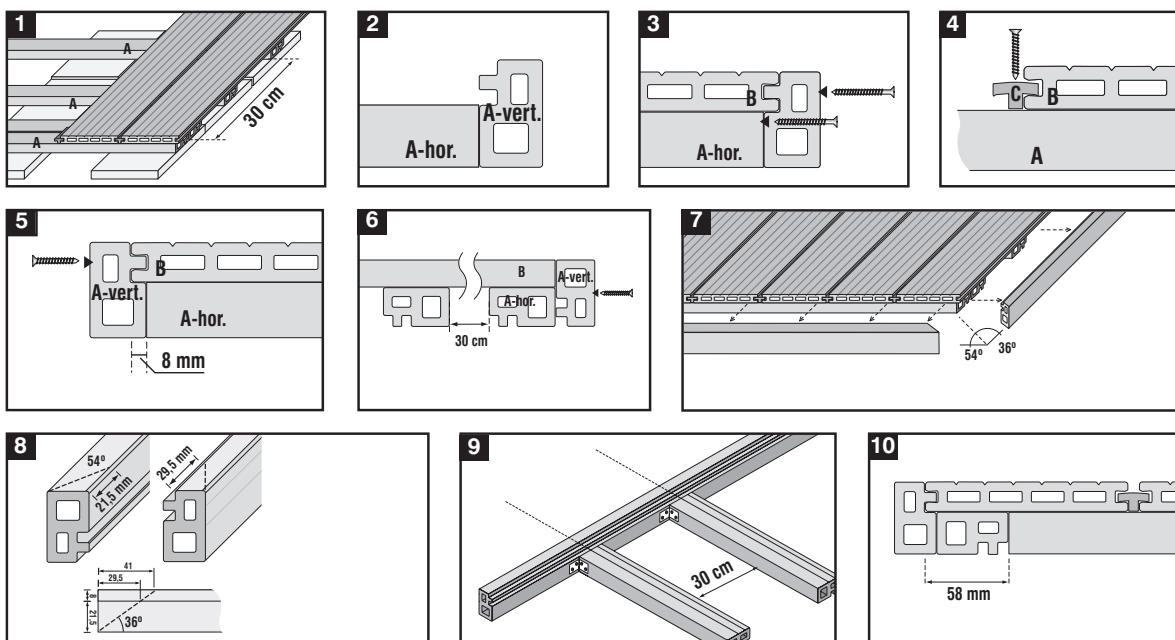
STEP 5 Once the final section is in place, you finish with a finishing profile (A-vertical) on both the longitudinal side and the so-called crosscut face. Now cut the longitudinal side of the profile to be connected with a false mitre. Note: follow the drawing (see images 7 and 8), so that the finishing profile connects with the crosscut face later. Make sure that the rails (A-horizontal) are cut to the right length, so that the decking slightly protrudes (by about 8 mm) and the finishing profile connects nicely (see image 5). Now screw the finishing profile to the decking into the marked v-grooves every other 40 cm, using the enclosed long screws (see image 5).

TIP: For an extra neat and strong attachment of the finishing profile, we recommend you attach another bottom rail to the crosscut faces of the bottom rail at a right angle, using the angle irons as described under step 3. In that case you must keep the bottom rails $50 + 8 = 58$ mm shorter than the end of the last section of decking. Once the last section is in place, you can fully secure the finishing profile (see image 10).

Before securing the finishing profile to the crosscut face, please note the following:

- make sure you "turn" the profile in relation to the profile on the longitudinal side before you start cutting (see image 6).
- now follow the drawing (see images 7 and 8), and cut the connecting finishing profile for the crosscut face with a false mitre.
- then screw the finishing profile to the underlying rail into the marked v-groove every other 40 cm, using the enclosed long screws (see image 6).

TIP: Beware of the power of your electric screwdriver. Not suitable for load bearing structures.



The mark of responsible forestry



Made with 50% post-consumer recycled polyethylene + 45% wood powder + 5% additives
Certified by www.controlunion.com
Certification Organization CU008550



T: +31 (0)88 1885 100
www.elephantbydekker.com
f ElephantByDekker