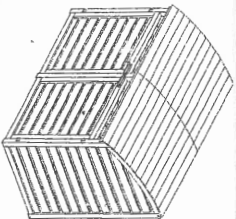


Containerbox

NAALDHOUT NATUREL 144 x 90 x 128 cm





Before assembly

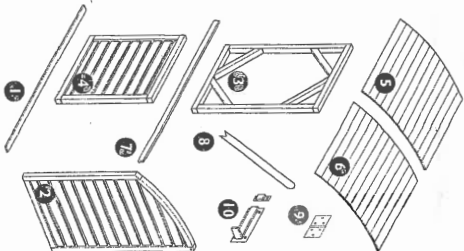
- We recommend that time is taken to read the instructions before starting assembly, then follow the easy step by step guide. The instruction sheet is only a guide to the assembly. Certain items may not be shown to scale.
- Check all components prior to assembly.
- Drill all components where indicated.
- This product should be assembled by no less than two people.
- Never attempt to erect the assembly in high winds.



Recommended tools for assembly

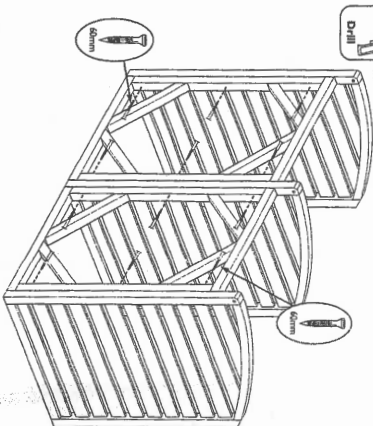
- Cross head screw driver
- Drill with 3mm diameter drill bit
- 13mm Spanner

No.	Components	Qty.
1	Base plates	2
2	Slide panel	3
3	Back panel	2
4	Door	2
5	Left lid	1
6	Right lid	1
7	Front rail	1
8	Lid stay	2
Fixing kits		
9	Hinges	4
10	Slide bolt	2
11	150mm bolt	1
12	100mm bolt	2
13	Nuts	3
14	Washers	3
15	Chain	4
16	60mm screws	12
17	40mm screws	14
18	30mm screws	36
19	15mm screws	4



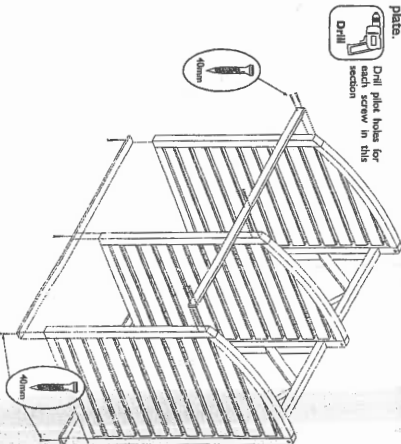
1. Sides and back

Secure the three side panels and two back panels as shown below using 3 x 60mm screws for each job. Ensure all panels are level along the bottom edge. Drill pilot holes in the frames of the side panels for each screw in this section.



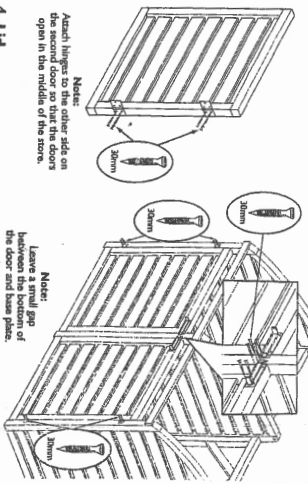
2. Base plates

Secure the front rail to the top of the front face of the uprights as shown using 6x40mm screws. Attach the 2 base plates using 3 x 40mm screws per plate. When attaching the plates, ensure that the end of each plate is flush with corners of the side panels and the centre panel is secured centrally on the base plate. Drill pilot holes for each screw in this section.



4. Door

Attach the hinges to the frames of the doors as shown below using 3x30mm screws per hinge. Position the door between the side panels leaving a small gap between the bottom of the door and the base plate. Secure the hinges to the outer side panels using 3x30mm screws per hinge. For each door position the two parts of the slide bolt as shown below and secure using 6x30mm screws for each bolt set.



Note: Attach hinges on other side on the second door so that the doors open in the middle of the store.

Note: Leave a gap between the bottom of the door and base plate.

4. Lid

Position the lids between the side panels as shown. Align the pre-drilled bolt holes and insert a bolt. Secure each bolt with a washer and a nut. Do not over tighten the nuts. Attach two chains to the handle of each lid using 1 x 15 mm screw per chain. Position the chains so that they can be looped round the handles of the bin and hooked back on the chain. Attach the lid stays using 1 x 40mm screws per stay as shown.

Using the bin stores
Position the bin inside the store, loop the chains around the handles of the bin and attach the S hook to one of the chain links.

